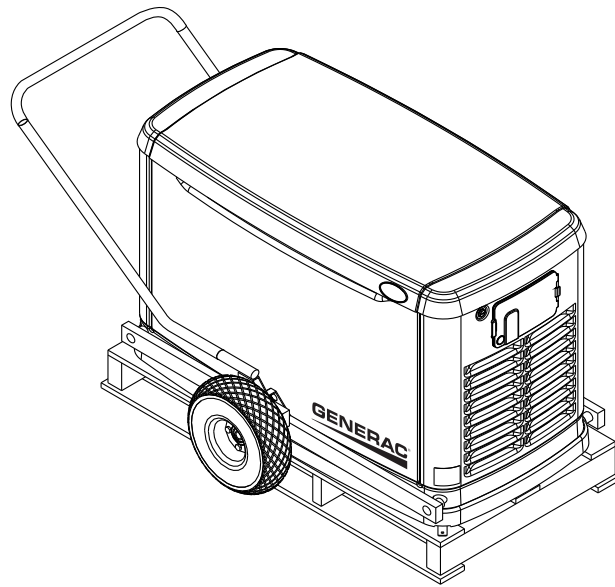


Generator Transport Cart

Model 005685-1



DESCRIPTION

The Generator Transport Cart is designed to allow a single individual to move and position any of the air-cooled generators without the need for additional people or equipment*. By attaching the cart to the generator through the lifting holes, the generator is lifted from the pallet by leverage and is easily wheeled to the appropriate location for final setting.

*This Cart is compatible with any of the air-cooled models except for the CorePower Series.

