

120-2,000 wg

**ARCOSA**  
TANK

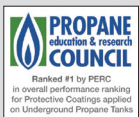
# Aboveground/Underground Domestic Tanks



Finished with **ArcClad™**  
Superior Aboveground Coating



8" dome in black plastic or galvanized steel



Fabricated to A.S.M.E. code, Section VIII, Division 1  
Registered with the National Board

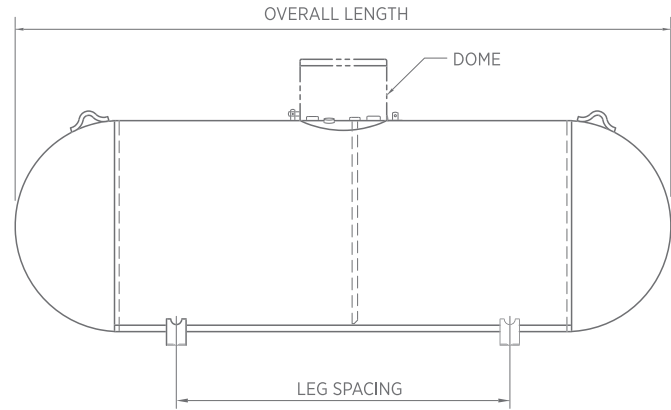
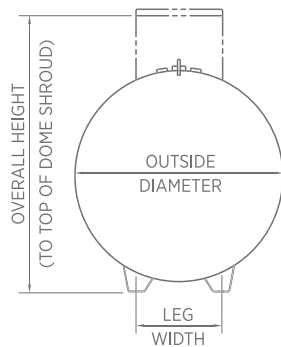
**For more information**

888.558.8265

## Tank Features:

- Dual service options for above or underground applications  
Option 1: Superior, ready to bury, red oxide durable powder coating with black polyethylen dome\*  
Option 2: Aboveground option with **ArcClad™** coating and an 8" steel AGUG dome
- All valves and float gauge are centered under dome
- #Vacuum Purged
- #72 liquid level outage valve orifice

# Aboveground/Underground Domestic Tanks

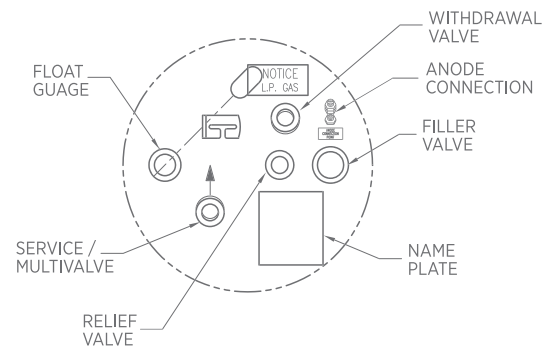


## GENERAL SPECIFICATIONS

Conforms to the latest edition and addenda of the ASME code for Pressure Vessels, Section VIII, Division 1. Complies with NFPA 58.

Rated at 250 psig from -20° F. to 125° F. All tanks may be evacuated to a full (14.7 psi) vacuum.

Vessel Finish: Coated with epoxy and red powder. (Tanks coated with the epoxy powder must be buried). For Aboveground use, tanks will be coated with **ArcClad**, zinc rich epoxy primer and super durable TGIC polyester topcoat.



\*Applicable federal, state, or local regulations may contain specific requirements for protective coatings and cathodic protection. The purchaser and installer are responsible for compliance with all federal state, local and NFPA Industry regulations. Cathodic protection is required and coating must be continuous and uninterrupted and must comply with local, state or national code.

## AGUG VESSEL DIMENSIONAL INFORMATION

Water Capacity	Outside Diameter	Head Type	Overall Length	Overall Height	Leg Width	Leg Spacing	Weight	Quality	
								Full Load	Per Stack
120 wg. 454.2L	24" 609.6 mm	Ellip	5' - 5 13/16" 1,671.6 mm	3' - 3/16" 919.1 mm	10 1/8" 257.2 mm	3' - 0" 914.4 mm	245 lbs. 111.1 kg.	96	12
250 wg. 946.3 L	31.5" 800.1 mm	Hemi	7' - 2 1/2" 2,197.1 mm	3' - 7 11/16" 1,109.6 mm	12 3/4" 323.9 mm	3' - 6" 1,066.8 mm	472 lbs. 214.1 kg.	63	9
320 wg. 1,211.2 L	31.5" 800.1 mm	Hemi	8' - 11 3/4" 2,736.9 mm	3' - 7 11/16" 1,109.6 mm	12 3/4" 323.9 mm	4' - 0 1/4" 1,225.6 mm	588 lbs. 266.7 kg.	45	9
500 wg. 1,892.5 L	37.42" 950.5 mm	Hemi	9' - 10" 2,997.2 mm	4' - 15/8" 1,260.4 mm	15" 381.0 mm	5' - 0" 1,524.0 mm	871 lbs. 395.1 kg	30	6
1000 wg. 3,785.0 L	40.96" 1,040.4 mm	Hemi	15' - 10 13/16" 4,846.6 mm	4' - 5 3/16" 1,350.9 mm	16 1/4" 412.8 mm	9' - 0" 2,743.2 mm	1,729 lbs 784.3 kg.	15	5

All vessels dimensions are approximate.

Eng. Update: April 5, 2016



For more information  
888.558.8265